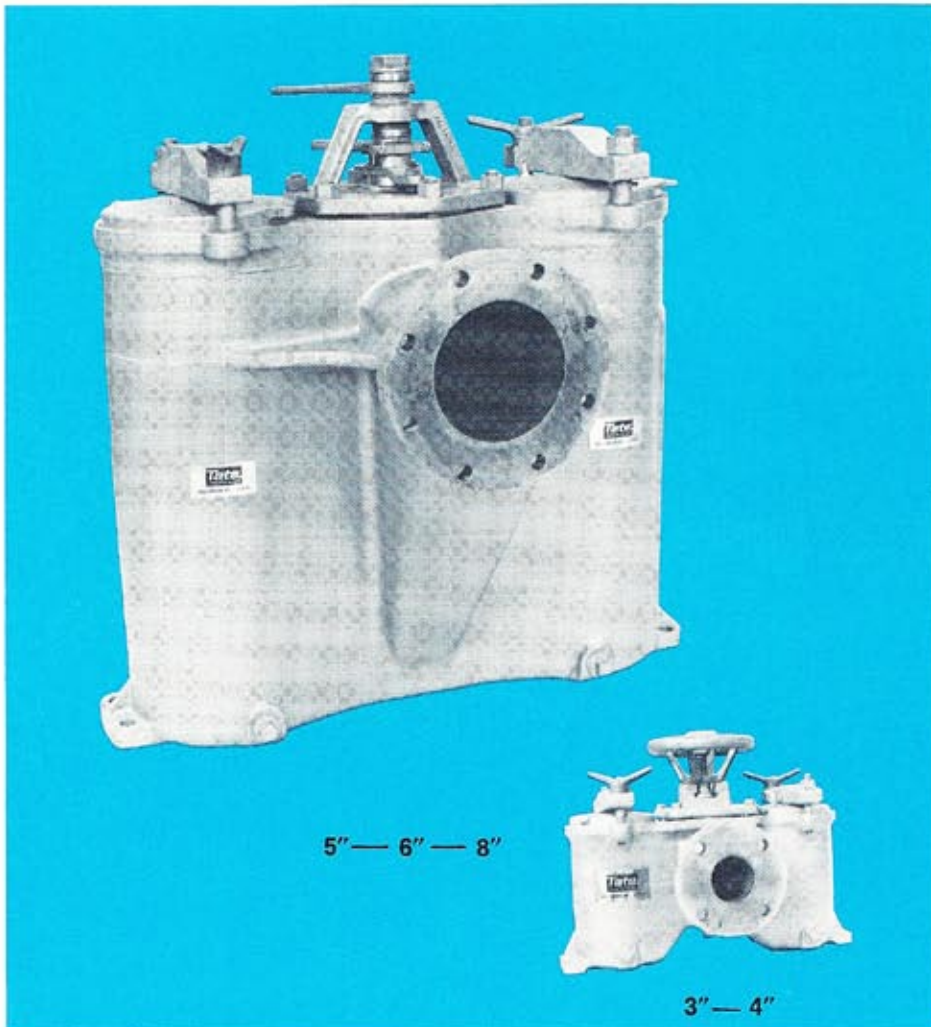


Tate Andale Model TCD Twin Basket Strainer



5" — 6" — 8"

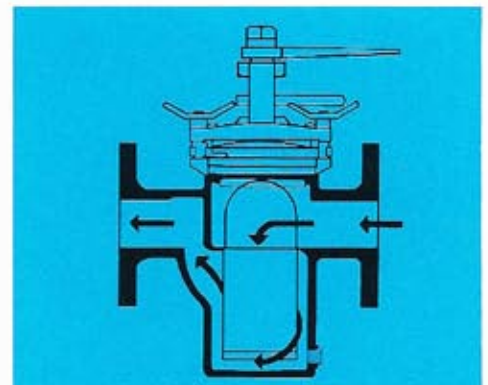
3" — 4"

Description

Tate Andale Model TCD twin strainers are easily cleaned without interrupting the fluid flow and have one moving part — the plug valve. The plug valve diverts the flow from one basket to the other permitting removal of the out-of-service basket for cleaning. While the fluid is flowing through the clean basket, the access cover of the other chamber may be opened and the clogged basket removed and cleaned.

The Model TCD strainers are available in sizes 3" thru 8" for a system working pressure up to 125 PSIG. The 3" and 4" sizes have a handwheel operated plug diverter, while the 5" to 8" sizes have a shifting lever plug diverter. The access covers are yoked to permit quick removal.

The Model TCD strainers are recommended for heavy duty straining.



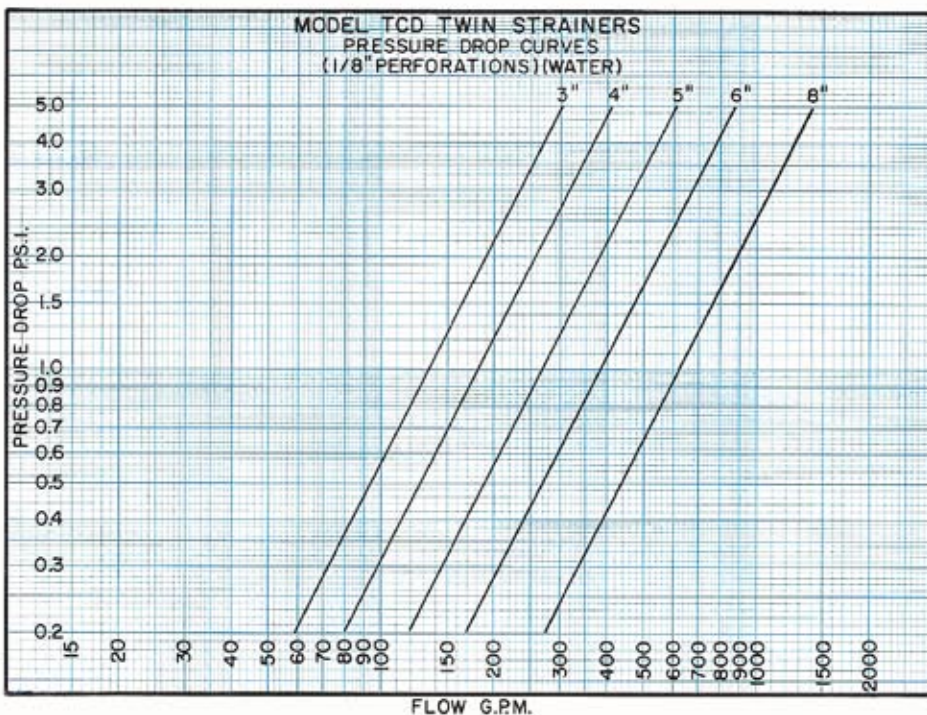
Typical Strainer Specification

The strainer shall be a plug valve twin basket type, capable of handling _____ (fluid) at a flow rate of _____ GPM with an approximate pressure drop (clean) of _____ PSIG. The strainer shall be Model TCD as manufactured by Tate Andale, Inc. and suitable to a working pressure of _____ PSI and a working temperature of _____ °F.

The strainer body shall be of cast iron construction with _____" flanged inlet and outlet connections and shall have a yoked access cover.

The bronze plug valve shall be precision machined and fitted to the body to insure minimum leakage. A threaded, positive lifting mechanism shall be provided to lift the plug before shifting to eliminate metal to metal contact. The plug valve shall include positive stops to assure proper port alignment after turning.

The two strainer baskets shall be of 304 stainless steel construction with _____ inch diameter perforated openings or _____ mesh liner.



Standard Materials

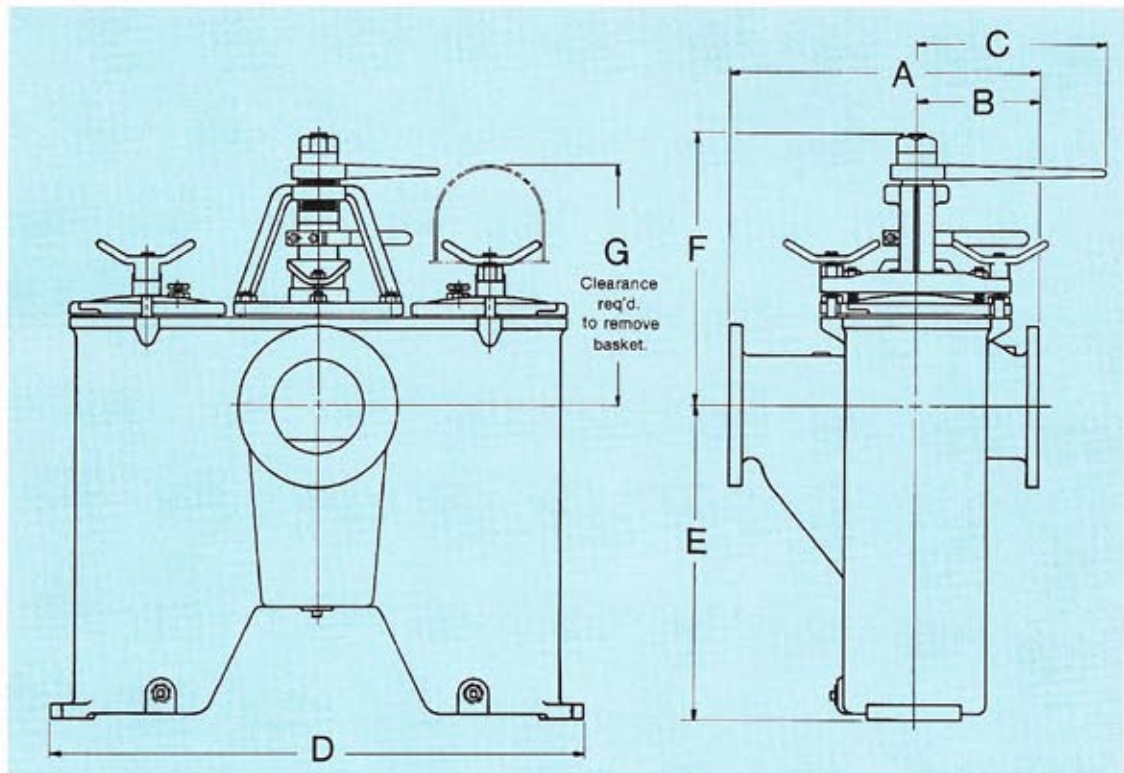
Body, Bonnet,
and Access Cover Cast iron
Plug Valve Bronze
Baskets 304 Stainless Steel

Optional Features

- Zinc anodes for salt water service
- Magnet assembly
- 316 Stainless Steel or Monel baskets
- Wire cloth basket liner

Standard Features

Body of cast iron with bronze plug diverter valve and two (2) close fitting top-entry baskets to prevent particle by-pass. A screw to lift plug before turning and to reseat the plug to eliminate metal to metal contact when shifting.



Model TCD Dimensions (Approx.) 125 PSIG

SIZE (Inlet Dia.)	3"	4"	5"	6"	8"
A	13½	16	21	23	26¼
B	6¾	8	10	10½	10½
C	—	—	14	14	14
D	21¾	26¼	32½	39¼	41½
E	6¾	8½	14⅝	15⅞	25⅝
F	9¾	10⅞	15	15¼	17
G	14	17⅝	25⅝	27⅝	36⅞
Weight (lbs.)	137	226	490	790	1275