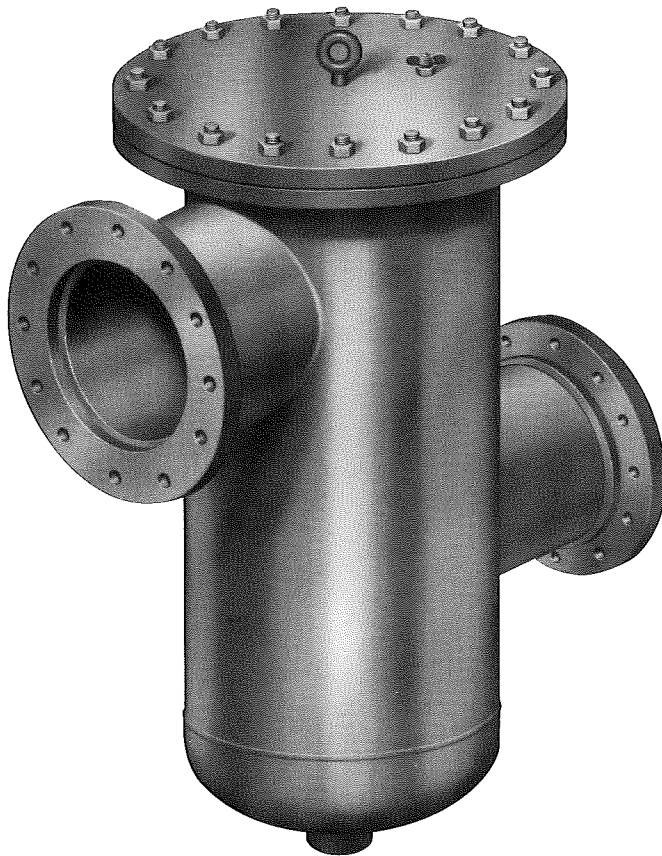


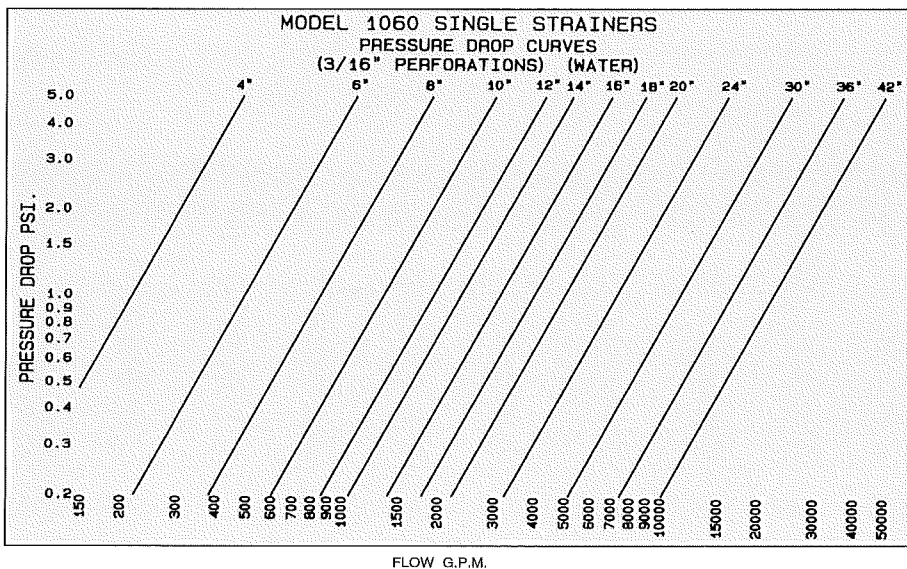
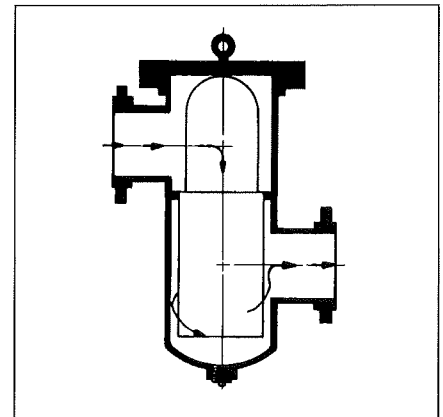
Tate Andale Model 1060 Offset Single Basket Strainer

When A Custom Design Simplex Strainer Is Needed, The Tate Andale Model 1060 Is The Answer.



Description

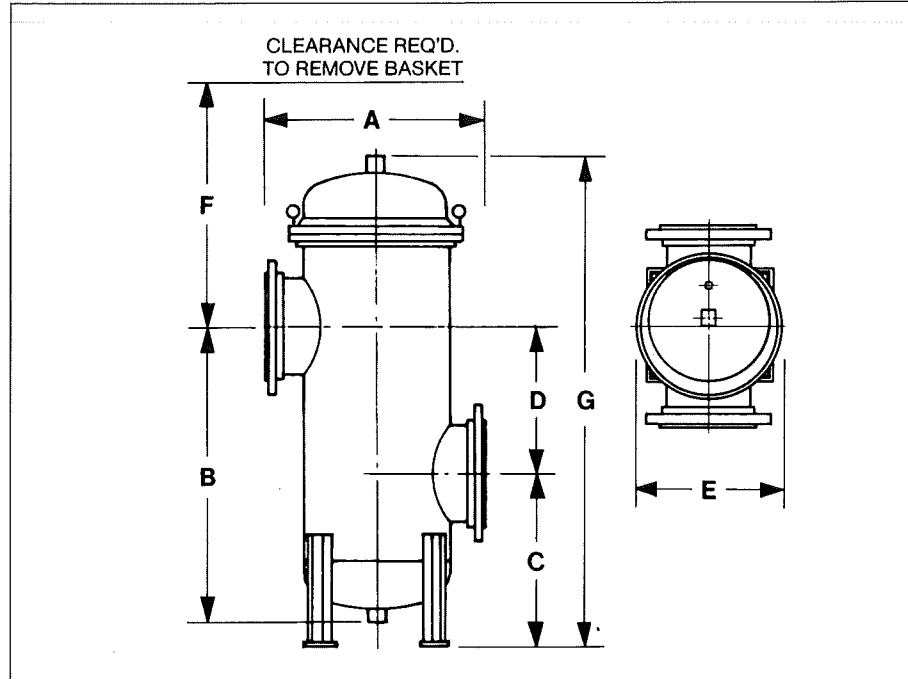
The **Tate Andale Model 1060** is a truly customizable strainer. Supplied in sizes 4" through 42" with fabricated bodies, it can be designed to meet virtually any operating condition, providing unsurpassed flexibility. The **Model 1060** can be constructed of materials ranging from carbon steel or stainless steel to exotic alloys or with fusion bonded epoxy coatings, allowing it to handle almost any fluid in a price range to meet the customer's budget. The **Model 1060's** versatility is further enhanced by its customizable inlet and/or outlet configurations, body size and/or nozzle combinations, and unlimited nozzle connections. Simply put, it's the most truly customizable fabricated simplex strainer available.



Tate Andale Model 1060 Offset Single Basket Strainer

Standard Features

- The **Tate Andale Model 1060** large basket means longer periods of time between cleaning and lower maintenance costs to the customer.
- The **Model 1060** strainer is manufactured in accordance with ASME Code, Section VIII, Division I for Unfired Pressure Vessels.
- Close fitting bale type basket eliminates bypassing of debris and is suitable for lining with mesh sizes down to 200 mesh.
- Design pressures available: 150, 300, 600, 900 and 1500 PSI.
- Materials available: Carbon steel, 304 SS, 316 SS, "L" grade stainless steels and epoxy coated.
- Different nozzle positions available to meet plant requirements.
- Different body size/nozzle combinations to accommodate viscous liquids and pressure drop requirements.
- Higher pressure or larger size.
- Different nozzle connections available: raised face flanges, ring joint flanges, victaulic couplings and others.



- Bolted or quick opening type covers.
- Weld end inlet and outlet nozzles.
- Butt weld connections and others.
- Vent valve on cover.

Standard Materials

BodySteel plate
 Access CoverForged steel
 Basket304 Stainless steel

Model 1060 Dimensions (Approx.) 150 PSIG

SIZE (Inlet Dia.)	4"	6"	8"	10"	12"	14"	16"	18"	20"	24"	30"	36"	42"	
A	16	21	27	30	32	39	39	44	44	52	64	70	76	
B	14½	20¾	25½	31¼	36¾	37¾	45¼	55¼	55¼	67¾	83¼	101¾	118¼	
C	NO SUPPORTING FEET								35¾	35¾	39¾	47¼	54¾	61¼
D	7	10	13	18	20	20	25	28	28	36	44	55	66	
E	11	16	19	23½	25	32	32	35¼	35¼	42¼	55	61½	67½	
F	23	31	38	47	54	58	68	90	90	108	137	165	188	
G	23	30¾	37	45	51½	54	63½	98	98	115½	142	167	192	
Total Weight (lbs.)	125	290	435	670	875	1,395	1,490	1,870	1,920	2,970	5,000	8,300	10,800	

Model 1061 Dimensions (Approx.) 300 PSIG

SIZE (Inlet Dia.)	4"	6"	8"	10"	12"	14"	16"	18"	20"	24"	30"	36"	42"	
A	16	23½	27	30	32	39	39	44	44	52	65	72	78	
B	14½	20¾	25½	31¼	36¾	37¾	45¼	55¼	55¼	67¾	83¼	101¾	118¼	
C									35¾	35¾	39¾	47¼	54¾	61¼
D	7	10	13	18	20	20	25	28	28	36	44	55	66	
E	12½	17½	20½	25½	28	36	36	37	37	43¾	56¾	63½	69½	
F	26	33	42	50	57	61	70	100	100	117	144	169	194	
G	25¾	32¾	39¾	47¼	53¾	56¾	65½	101	101	120	146	170	195	
Total Weight (lbs.)	175	425	600	1,000	1,325	2,160	2,290	2,790	2,900	4,700	9,000	13,000	18,750	