

Tate Andale Model 105-B Single Basket Strainer

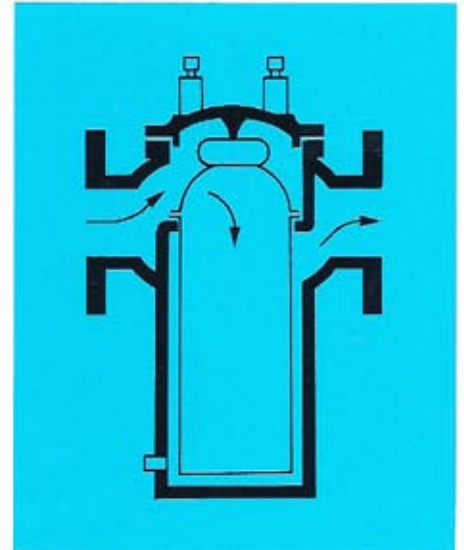


Description

Tate Andale Model 105-B Strainers with a single basket have almost universal application wherever fluid flow can be stopped temporarily for removing and cleaning the basket.

Model 105-B Strainers are available in sizes $\frac{3}{8}$ " thru 14" ($\frac{3}{8}$ " thru 2" available with threaded or flanged connections; 2 $\frac{1}{2}$ " thru 14" flanged connections) for system pressure up to 150 PSIG. The basket access cover is yoke type or bolted.

The strainers have a bail type basket in a wide selection of perforated and mesh sizes.

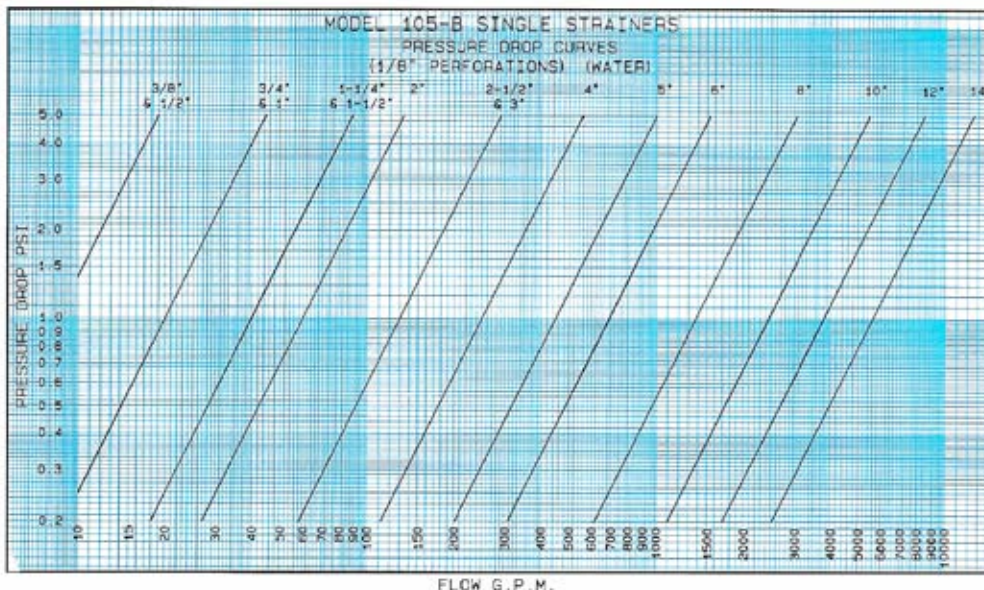


Typical Strainer Specification

The strainer shall be a single basket type, capable of handling _____ (fluid) at a flow rate of _____ GPM with an approximate pressure drop (clean) of _____ PSIG. The strainer shall be Model 105-B as manufactured by Tate Andale Inc., and suitable for a working temperature of _____ °F.

The strainer body shall be of cast iron construction with _____ threaded or flanged inlet and outlet connections ($\frac{3}{8}$ " thru 2" available with threaded or flanged connections; 2 $\frac{1}{2}$ " thru 14" flanged connections) and shall have a lift-off or hinged cover (yoke type), depending on strainer size.

The strainer basket shall be of 304 stainless steel construction with _____ inch diameter perforated openings (or a _____ mesh liner).



Standard Materials

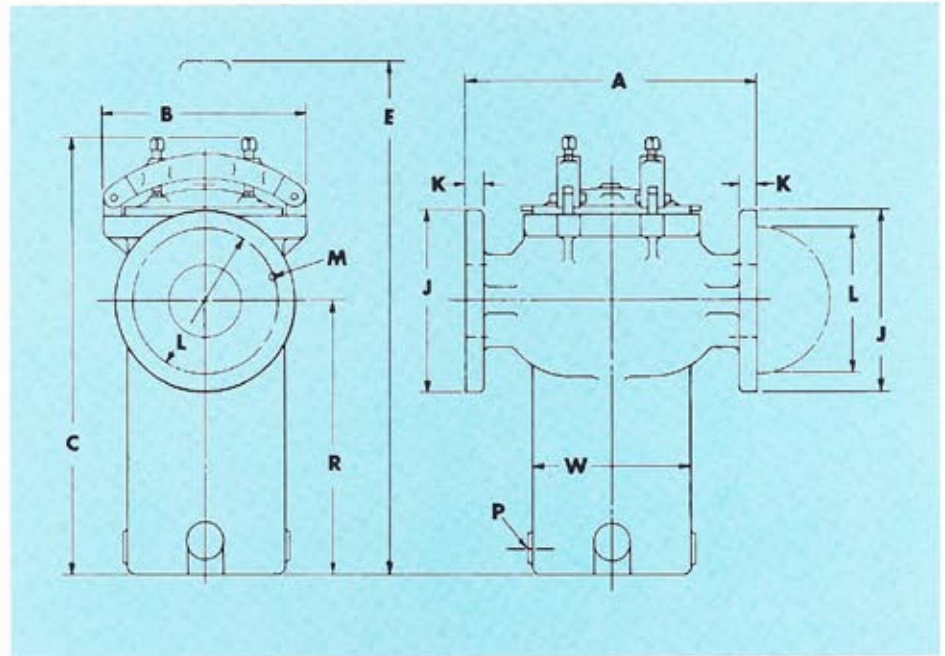
Body, Cover Cast Iron, Cast Steel
Basket..... 304 Stainless Steel

Standard Features

- Body and cover of cast iron or steel
- Top entry basket precision machined to prevent particle by-pass

Optional Features

- Higher design pressures
- Magnet assemblies
- Wire cloth basket liners/inserts
- Zinc anodes for salt water
- Baskets of 316 Stainless Steel or Monel



Model 105-B Dimensions (Approx.) 125 PSIG/150 PSIG

NOMINAL PIPE SIZE	A	B	C	E	J	K	L	M*	P	R	W	NET WT. LBS.
3/8"	5	4 3/8	7 1/2	8	SCREWED				1/4	3	2 3/4	8
1/2"	5	4 3/8	7 1/2	8	SCREWED				1/4	3	2 3/4	8
3/4"	6 1/2	6 1/4	10 5/8	13 1/2	SCREWED				1/4	4 3/4	3 1/2	19
1"	6 1/2	6 1/4	10 5/8	13 1/2	SCREWED				1/4	4 3/4	3 1/2	19
1 1/4"	8	7 1/2	13 5/8	16 1/2	SCREWED				3/8	6 1/8	4 1/2	29
1 1/2"	8	7 1/2	13 5/8	16 1/2	SCREWED				3/8	6 1/8	4 1/2	29
2"	9	7 3/4	15 3/8	20	SCREWED				1/2	7 5/8	5 1/8	38
2"	9 1/2	7 3/4	15 1/2	20	6	5/8	4 3/4	4-3/4	1/2	7 5/8	5 1/8	38
2 1/2"	12	9 1/2	18 1/2	24	7	1 1/8	5 1/2	4-3/4	1/2	9	6 1/4	65
3"	12	9 1/2	18 1/2	24	7 1/2	3/4	6	4-3/4	1/2	9	6 1/4	70
4"	16	10 5/8	24 1/2	35 3/8	9	15/16	7 1/2	8-3/4	1/2	13 5/8	7 3/4	135
5"	18	11 3/4	24 1/2	33 3/4	10	5/16	8 1/2	8-7/8	3/4	11 3/4	9 1/2	180
6"	20	15 1/4	29	45	11	1	9 1/2	8-7/8	3/4	15	10 3/4	360
8"	28	18	39 1/2	65	13 1/2	1 1/8	11 1/4	8-7/8	3/4	23	14 1/2	650
10"	32	21 3/4	49	82	16	1 3/8	14 1/4	12-1	1	28	16 1/4	860
12"	36	21 1/2	57	98	19	1 1/4	17	12-1	1 1/4	35	20	1550
14"	40	26 1/2	63	110	21	1 3/8	18 3/4	12-1 1/8	1 1/2	38	21 1/2	2100

*Number of bolts and diameter of holes.