

"Serving The Fleet For Over 70 Years"

Tate Andale Model IS Simplex Basket Strainer

Seawater, Lube Oil, Fuel Oil,
Chemical Service

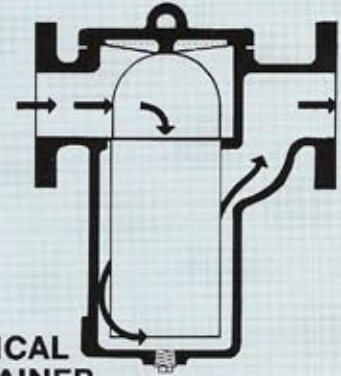
Commercial — MIL Spec — U.S. Coast Guard Approved



DESCRIPTION

Tate Andale Model **IS** strainers are recommended for batch operations where flow may be interrupted to clean the basket or those installations with small amounts of debris or for start-up or emergency protection. Model **IS** strainers can be supplied in sizes 1" thru 10". The Model **IS** strainers can have a cast steel, stainless steel or bronze body for uses in system pressures up to 150 PSIG. Higher design pressures are available.

The Model **IS** strainer is a flanged body containing a single perforated plate basket. The basket is convenient to remove and clean.



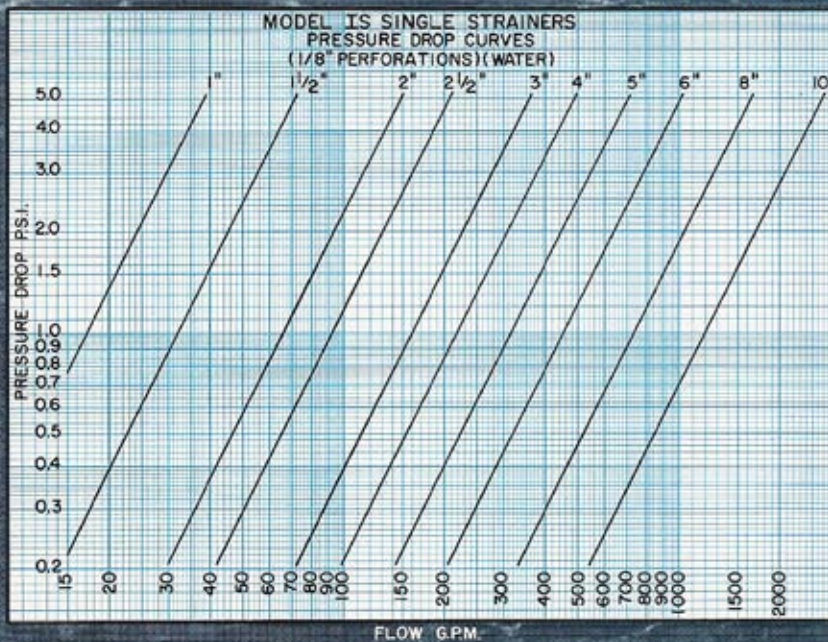
TYPICAL STRAINER SPECIFICATIONS

The strainer shall be a single basket type, capable of handling _____ (fluid) at a flow rate of _____ GPM with an approximate pressure drop (clean) of _____ PSIG. The strainer shall be Model **IS** as manufactured by Tate Andale, Inc. and suitable to a working pressure of _____ PSI and a working temperature of _____ °F.

The strainer body shall be of cast steel, stainless steel or bronze construction with _____" flanged inlet and outlet connections and shall have a bolted or yoked access cover.

The strainer basket shall be of 304 stainless steel construction with _____ inch diameter perforated openings (or a _____ mesh liner).

MOST SIZES AVAILABLE FROM STOCK



STANDARD MATERIALS

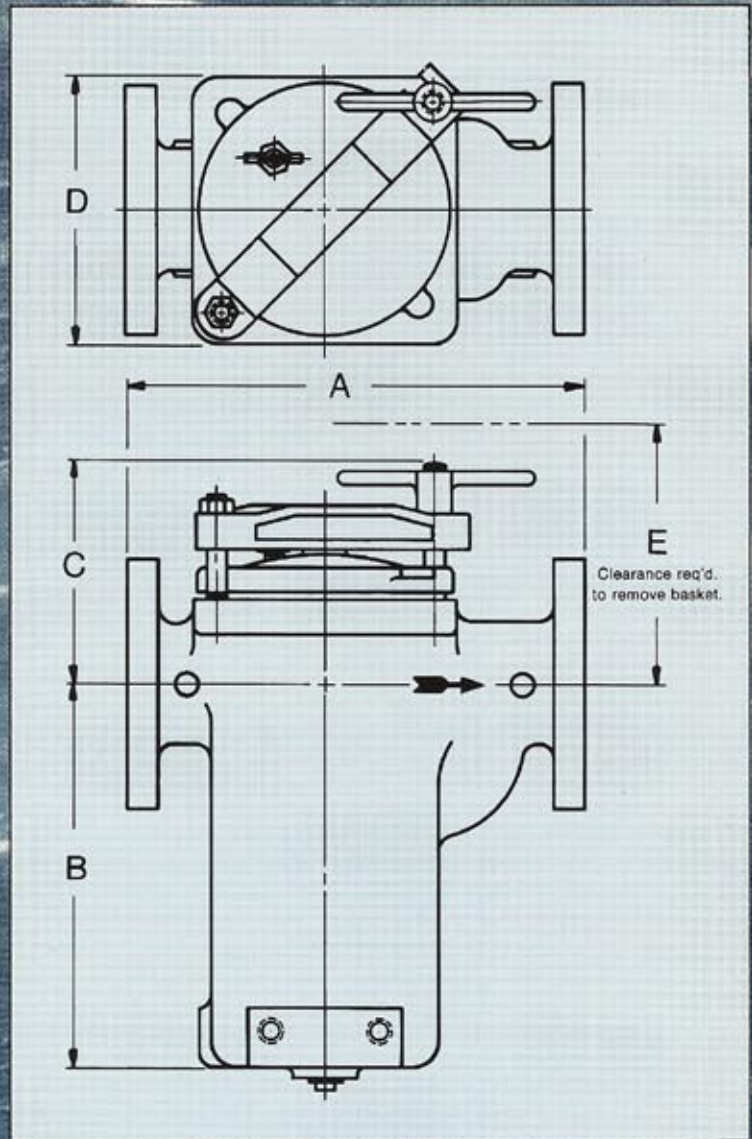
Body & Cover..... Cast Steel,
Stainless Steel,
or Bronze,
(B61) Navy, (B62)
Basket..... 304 Stainless Steel

STANDARD FEATURES

Body of cast steel (stainless steel or bronze) with close fitting top-entry basket to prevent particle bypass. Installation of unit must permit shut down of flow for cleaning of basket and quick-opening yoke cover.

OPTIONAL FEATURES

- Zinc anodes for salt water service
- Magnet assemblies
- Higher design pressures
- Monel or 316 stainless steel basket
- Wire cloth basket liner
- Bolted or yoked access cover
- Offset inlet and outlet connections
- Spray guard
- Flanges IAW/MIL-F-20042 (150/250)



Model IS Dimensions (Approx.) 150 PSIG (300 PSIG Available)

SIZE (Inlet Dia.)	1"	1¼"	1½"	2"	2½"	3"	4"	5"	6"	8"	10"
A	6 ³ / ₁₆	8 ⁵ / ₁₆	8 ³ / ₄	10 ¹ / ₈	13 ⁵ / ₁₆	13 ³ / ₈	16	19 ⁵ / ₁₆	21 ¹ / ₄	24 ³ / ₈	32
B	4 ⁵ / ₁₆	5 ⁷ / ₁₆	5 ⁵ / ₈	8 ³ / ₈	11 ⁷ / ₁₆	11 ⁷ / ₁₆	16	18 ⁷ / ₁₆	21 ⁵ / ₁₆	24 ¹ / ₂	27 ⁵ / ₈
C	3 ¹ / ₈	3 ³ / ₈	3 ¹ / ₂	4 ¹ / ₄	6 ¹ / ₄	6 ¹ / ₄	7 ¹ / ₈	9 ¹ / ₈	10 ¹ / ₂	13 ¹ / ₄	10 ¹ / ₂
D	3 ¹ / ₄	5	5	5 ¹ / ₄	8	8	9 ¹ / ₄	15	16	17	19
E	6	7 ¹ / ₂	7 ¹ / ₂	11 ¹ / ₂	16 ¹ / ₄	16 ¹ / ₄	20 ³ / ₄	24 ¹ / ₂	29	36	34
Weight (lbs.)	11	21	23	34	80	85	132	220	295	470	1100