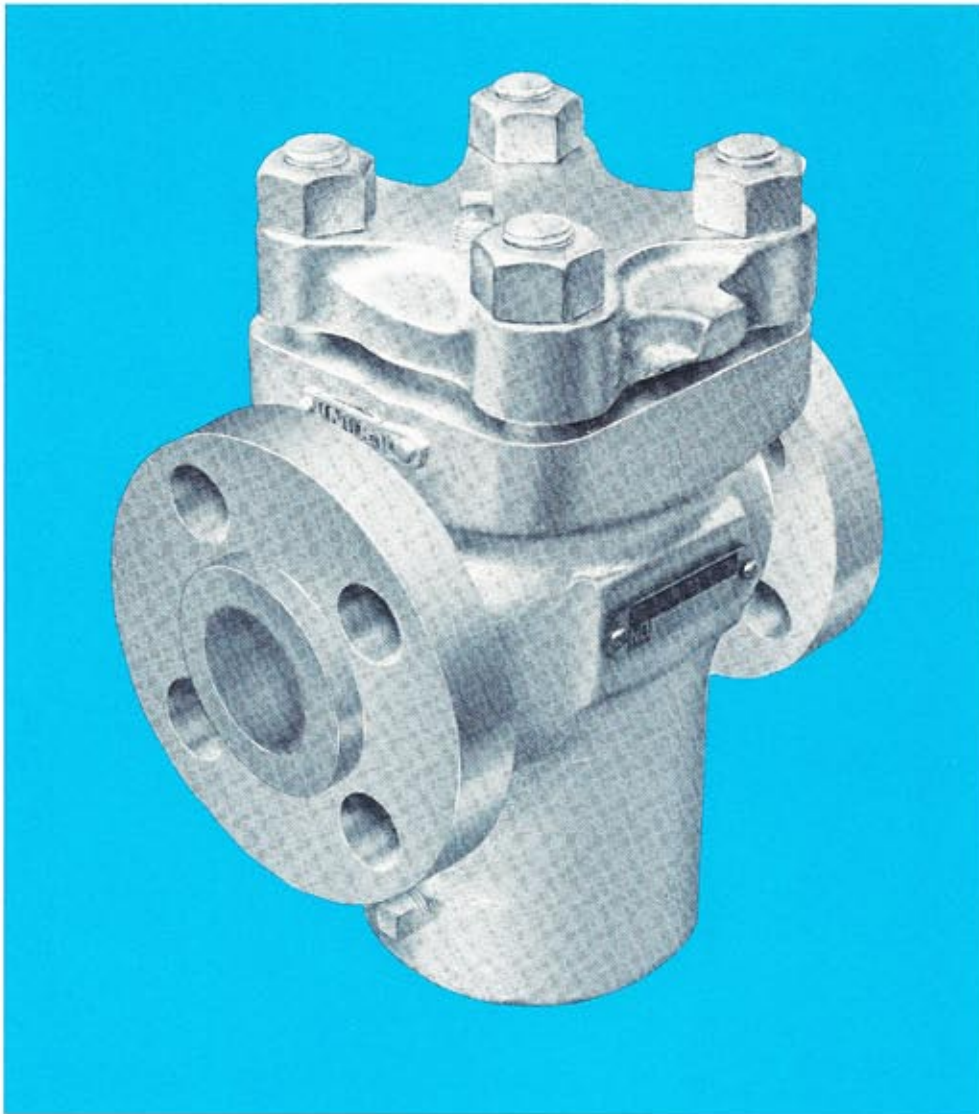


Tate Andale Model 105-3 Single Basket Strainer



Description

Tate Andale Model 105-3 Strainers with a single basket have almost universal application wherever fluid flow can be stopped temporarily for removing and cleaning the basket.

Model 105-3 Strainers are available in sizes 1" thru 10" for system pressure up to 900 PSIG. The basket access cover is bolted.

The basket is available in a wide selection of perforated and mesh sizes.

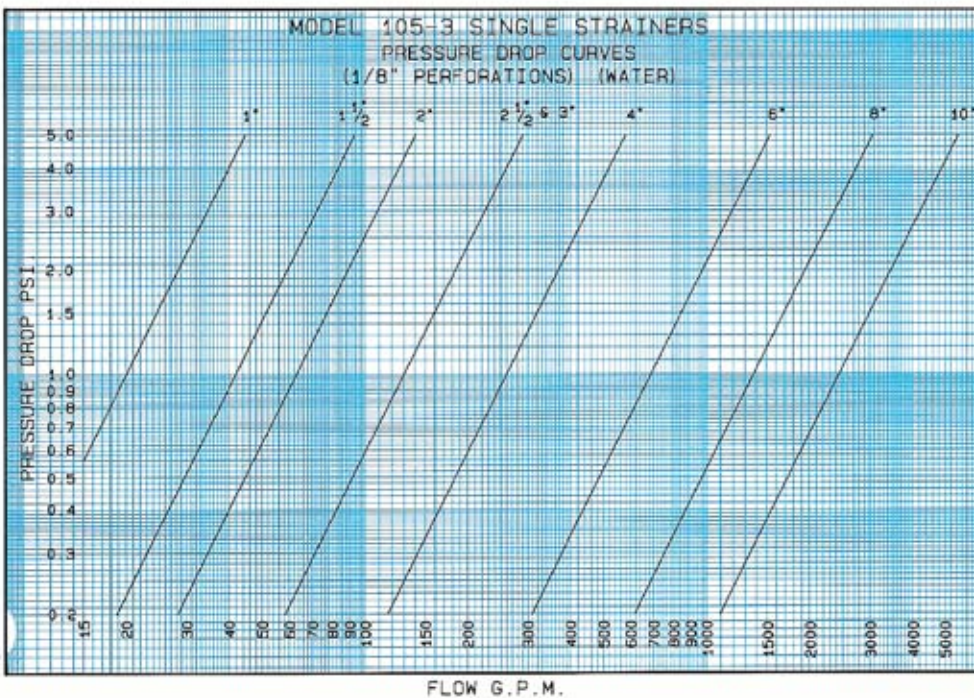


Typical Strainer Specification

The strainer shall be a single basket type, capable of handling _____ (fluid) at a flow rate of _____ GPM with an approximate pressure drop (clean) of _____ PSIG. The strainer shall be Model 105-3 as manufactured by Tate Andale Inc., and suitable for a working temperature of _____ °F.

The strainer body shall be of cast steel construction with _____" flanged inlet and outlet connections and shall have a bolted basket access cover.

The strainer basket shall be of 304 stainless steel construction with _____ inch diameter perforated openings (or a _____ mesh liner).



Standard Materials

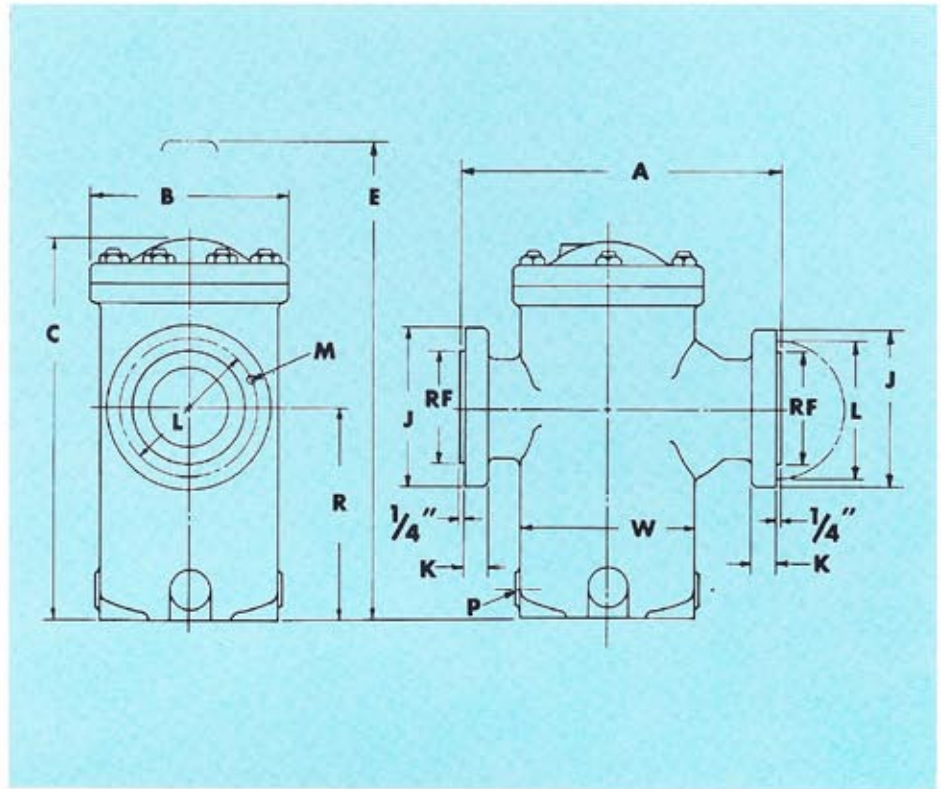
Body, Cover Cast Steel
Basket 304 Stainless Steel

Standard Features

- Body and cover of cast steel
- Top entry basket precision machined to prevent particle by-pass

Optional Features

- Higher design pressures
- Magnet assemblies
- Wire cloth basket liners/inserts
- Zinc anodes for salt water
- Baskets of 316 Stainless Steel or Monel



Model 105-3 Dimensions (Approx.) 900 PSIG

NOMINAL PIPE SIZE	A	B	C	E	J	K	L	M*	P	R	RF	W
1"	10½	5½	9⅝	16	4⅞	1⅞	3½	4-¾	¼	5	2	4⅝
2"	12¾	8¼	13	23	6½	1	5	8-¾	½	7⅞	3⅝	5½
3"	15	9¼	14⅞	28	8¼	1¼	6⅝	8-⅞	½	9¼	5	6½
4"	18	11¼	23¼	41	10¾	1½	8½	8-1	½	13⅞	6⅝	8¼
6"	24⅝	12½	39	70	14	1⅞	11½	12-1⅞	¾	27½	8½	10
8"	32	16½	41½	72	16½	2⅞	13¾	12-1½	¾	25½	10⅝	14¼
10"	36⅝	22	58	100	20	2½	17	16-1⅝	1	38	12¾	17¾

*Number of bolts and diameter of holes.