

Tate Andale Miscellaneous Fittings

STANDARD COMMERCIAL and NAVY DECK FILL CONNECTIONS and SOUNDING TUBE PLUGS

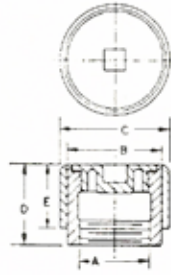
TATE manufactures a wide variety of deck fill and sounding tube connections to suit the need of all types of vessels. Several of the more widely used (both commercial and Navy) are illustrated here.

Note that all are of heavy cast construction (bronze, steel and stainless steel) with direct weld and sleeve types to suit steel, wood, mastic, or rubber decks. The cover and outlet threads are carefully machined to close tolerances for fine fit and easy operation.

WELDING SLEEVE TYPE



58-15T



58-15T

O.D. machined for silver solder connection to steel welding sleeve (and ultimate welding to steel deck). Specify outlet size, with or without welding sleeve, with or without wrench. Wrench sizes thru 2"—58-70, over 2"—58-72.

Dimensions—inches

A, I.P.S.	B, DIA.	C, DIA.	D	E	APPROX. WT. LBS.
1½	3¾	3½	2½	2	6
1½	3¾	3½	2½	2	6
2	3¾	3½	2½	2	7
2½	4¼	4½	2½	2	8
3	4¼	4½	2½	2	8

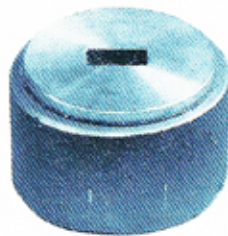
1½" SOUNDING TUBE FLOATING BALL CHECK



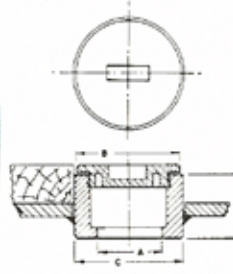
MODEL 24-75
IPS THREADED CONNECTION

The design of these units is based on NAVSEA Drawing F-53711-803-5959276 except that it is constructed of non-magnetic bronze. This unit combines quick access to the fuel tank with the added safety of a check valve. Steel construction is also available.

DIRECT WELDED TYPE 58-50 Socket Weld Connection 58-52 Flush For Butt Weld Connection



58-50 58-52



58-50 58-52

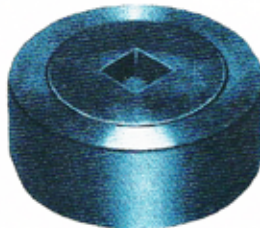
The design of these units is based on BuShips S-4823-860220 Types C and D. Body is Steel for direct welding to deck with bronze plug.

Dimensions—inches

58-50—Socket Weld Connection					Approx. Wt. Lbs.
A, dia.	B, dia.	C, dia.	D		
1.900	4	4½	2½	5	
2.375	4	4½	2½	5	
2.875	4	4½	2½	5	
58-52—Butt Weld Connection					
2	4	4½	2½	5	
2½	4	4½	2½	5	

Specify: Number, A dia., and with or without wrench. Wrench No. 58-72.

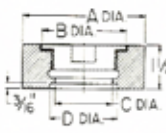
DIRECT WELDED TYPE 58-60 Flush For Butt Weld Connection 58-61 Socket Weld Connection



58-60 58-61



58-60



58-61

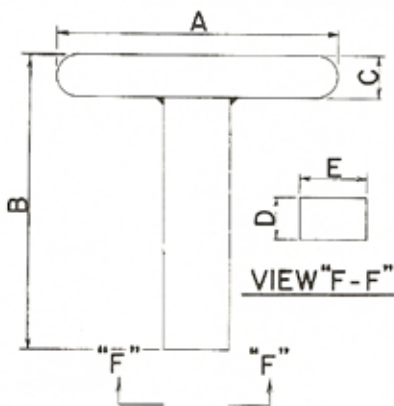
Furnished with heavy wall stainless steel body for direct welding to steel deck. Heavy wall section also provides adequate inscription surface. Bronze plug fitted with asbestos gasket as is standard making the complete unit non-corrosive. This unit is the most economical in purchase and installation costs.

Dimensions—inches

Size	A	B	C	D	PLUG THDS.
1½	3 ⁹ / ₁₆	2 ⁵ / ₁₆	1.610	1.900	1¾" -12UN
2	4¼	2 ¹⁵ / ₁₆	2.067	2.375	2¼" -12UN
2½	4¾	3 ⁷ / ₁₆	2.469	2.875	2¾" -12UN
3	5¼	3 ¹⁵ / ₁₆	3.068	3.500	3¼" -12UN
4	6½	4 ¹⁵ / ₁₆	4.031	4.570	4½" -12UN

Specify: Number, Size, and with or without wrench. Wrench No. 58-70.

OPERATING WRENCHES



The need for special wrenches on marine equipment is indicated on various TATE Products—drain closures, access boxes, deck plate, and fill connections. Notations are made in each product section and listing indicating the wrench to be used with that product. In addition, these universal type wrenches will be useful in operating many other devices on board ship.

FOOT VALVE No. 68-10T

TATE 68-10T Foot Valve is of marine design for pump suction service in various tanks and bilge. The light weight disc insures minimum strain on pumps. Precision machining on all working parts assures satisfactory operation and minimum need for cleaning and other service. All parts are accessible for quick cleaning or inspection. Regularly furnished in cast bronze but other metals can be furnished when specified.

Dimensions—inches

A, I.P.S.	B	C, dia.	Approx. Wt. Lbs.
1½	9¾	4¼	7
1½	9¾	4¼	7
2	9¾	4¼	7
2½	9¾	4¼	7