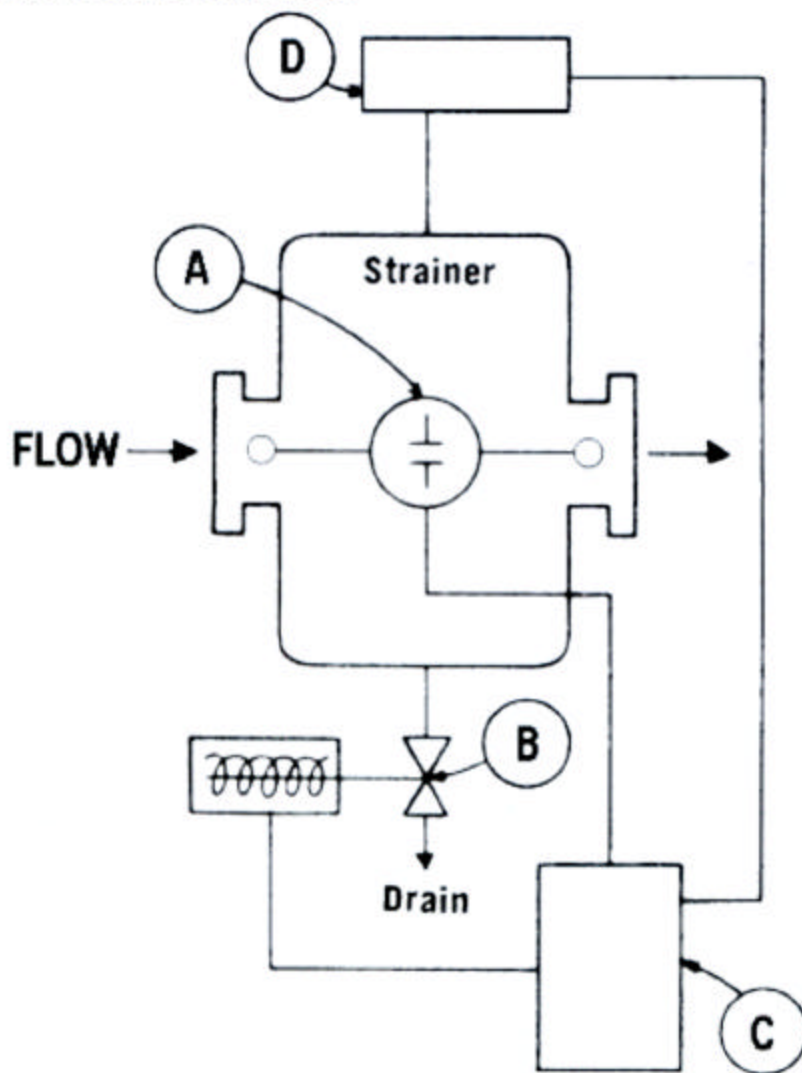


Tate Andale Standard Automatic Controls for Electrically-Operated Type KR, KB, KBF and I260 Strainers

Electric-Operated Control Schematic



This control system is electric motor-driven and no control air supply is required. It is completely automatic, controlled by an impulse from a differential pressure switch across inlet and outlet nozzles.

When predetermined pressure drop is reached, a signal from the differential pressure switch starts the rotating element and opens the flushing valve for a minimum period of 30 seconds, or until the pressure drop has returned to normal.

A "Hands-off-Auto" selector switch permits changing from normal intermittent automatic operation to continuous back-flushing if desired. A momentary contact "Start" pushbutton permits manual override of the differential control switch.

Services required:

Motor drive—as required by customer
Control system—110 volt, single phase, 60 Hz

Key:

- (A)—Differential pressure switch
- (B)—Electric-operated flushing valve
- (C)—Control panel
- (D)—Gearmotor diverter valve drive