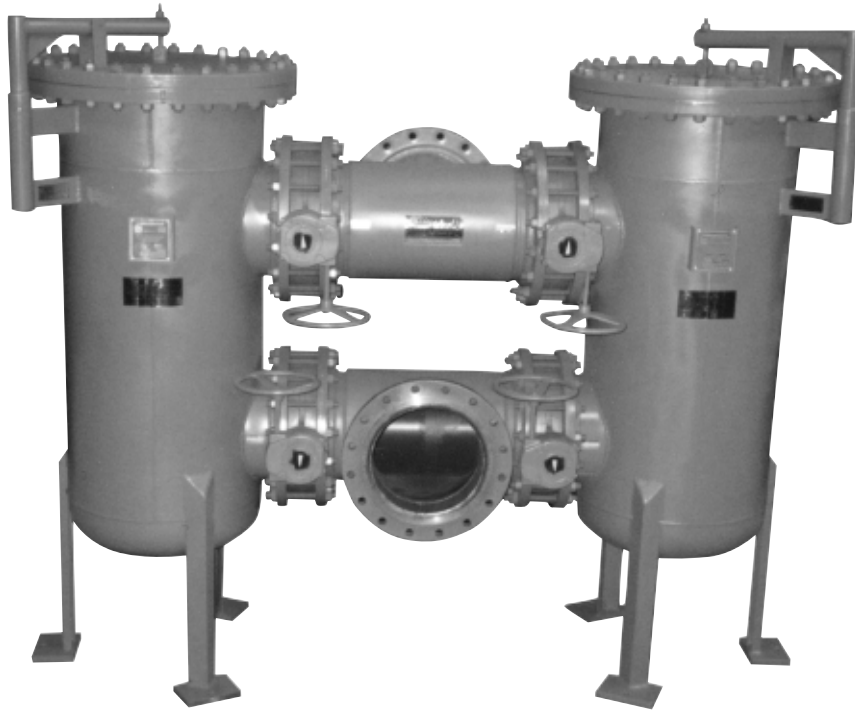


DU-200 Series — Dual Strainer System

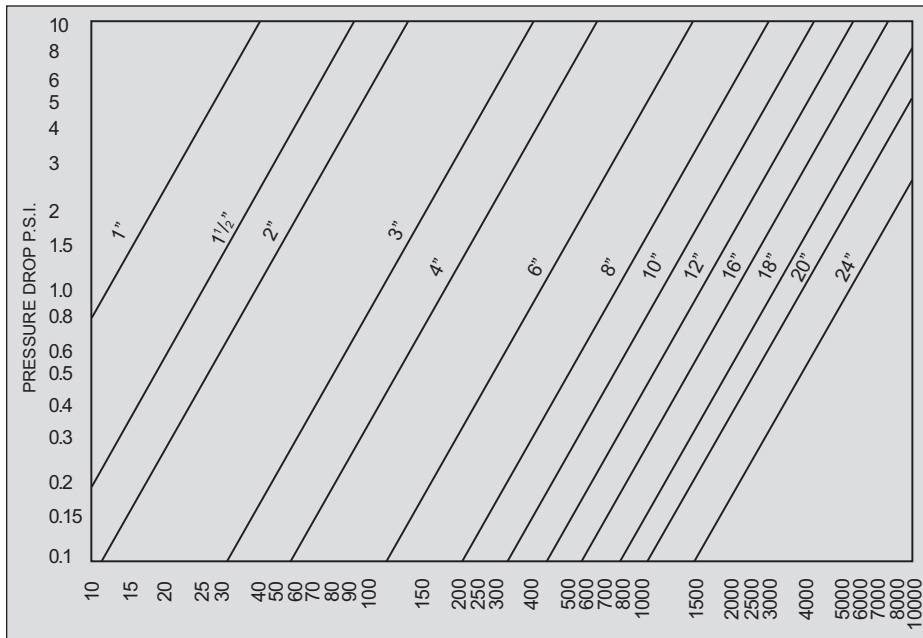
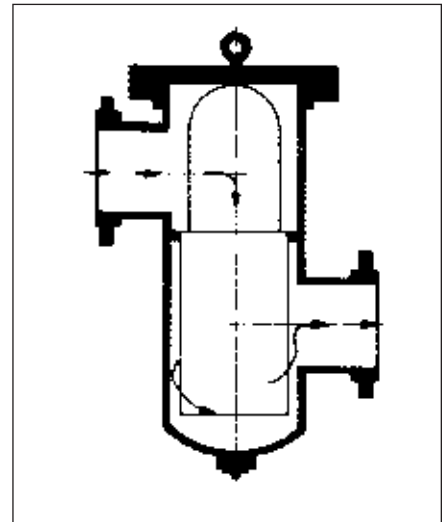
When A Custom Design Dual Strainer System Is Needed, The Tate Andale DU-200 Is The Answer.



DU-200 Strainer Units

Description

From the materials of construction, to the arrangement of inlet/outlet connections, to the nozzle connections, to the body sizing, the Model **DU-200** is a truly customizable fabricated duplex strainer, able to meet any operational condition. It can also be designed to meet any budget requirement through use of carbon steel (available with fusion bonded epoxy coating) to exotic alloys, from ball valves to butterfly valves. The **DU-200** provides cost-efficient operation as well. From quick opening yoke type covers, to cover lifting davits, to backflushing and blow-down, it reduces maintenance time and costs. If you want a strainer that's versatile, plus easy to own and operate, you can feel confident choosing the **DU-200**.



Flow Rate (Water) G.P.M.

Pressure Drop Curves
(1/8\" perforations)

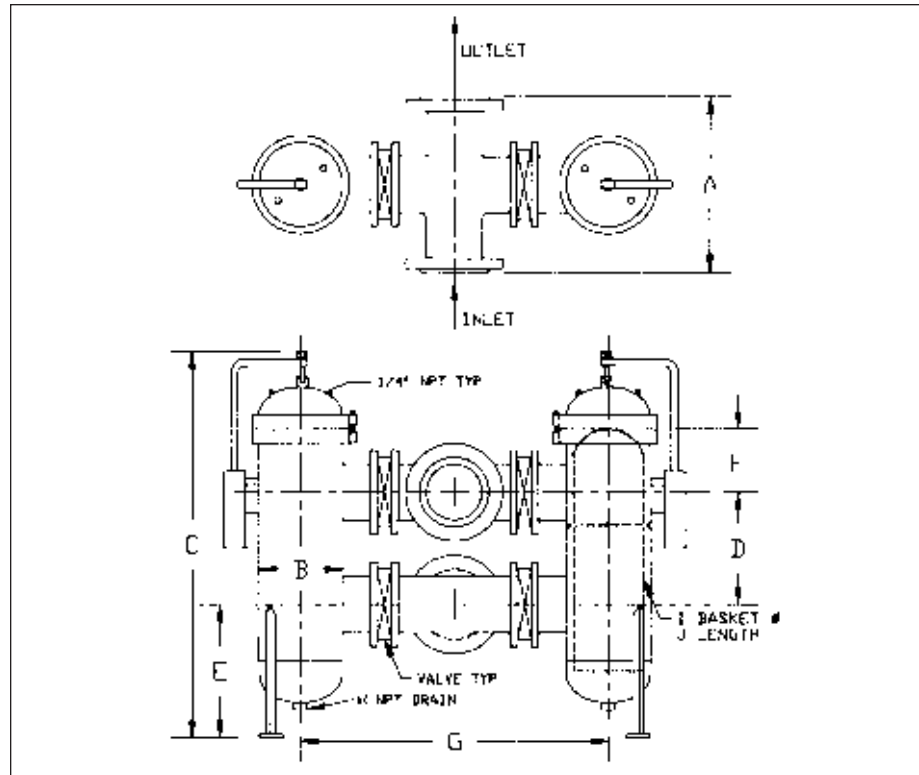
DU-200 Series — Dual Strainer System

Standard Features

- The **Tate Andale Model DU-200** strainer is available in sizes 1" through 24" for system pressures up to 300 PSIG. The basket covers are quick-opening or ANSI flanged.
- The large 316 SS wedgewire basket provides longer periods of time between cleaning and consequently lower costs to the customer.
- Strainer is manufactured in accordance with ASME Code, Section VIII, Division I for Unfired Pressure Vessels. (Optional code stamp is available).
- Positive seating bail type basket eliminates bypassing of debris. Suitable for lining with mesh sizes down to 200 mesh.
- Materials available: carbon steel, 304 SS, 316 SS, and "L" grade stainless steels. Interior coatings are available.
- Different nozzle positions available to meet customer requirements.
- Ability to modify inlet/outlet to accommodate viscous liquids.
- Different nozzle connections available: raised face, ring joint flanges, victaulic coupling, flat-face, weld neck and others.

Optional Features

- Quick opening, yoke type covers reduce maintenance time and costs.
- Custom designs for special applications.
- For large units lifting davits are available to facilitate cover removal.
- Optional backflushing and blowdown connections enable the customer to clean the basket without removing the cover. This greatly reduces the time required to clean the baskets and consequently reduces the customer's maintenance costs.
- Higher design pressures
- Wire cloth basket liners
- Differential pressure gauge installed
- Hastalloy or Monel baskets



SIZE	1"	1½"	2"	3"	4"	6"	8"	10"	12"	14"	16"	18"	20"	24"
A	8¾	10¾	10	12¼	14¼	18¼	22	25	29	32	34	38	44	46
B	4½	4½	4½	6¾	8¾	10¾	12¾	18	20	24	28	30	30	36
C	15	15	17	26	36	44	60	68	74	82	92	102	106	118
D	7¼	7¼	10	12	15	18	20	22	24	25	28	32	28	36
E	NO SUPPORTING LEGS					18	20	23	25	28	32	36	34	40
F	4½	5	5	5	6	6	9	12	13	15	17	18	19	22½
G	20	24	24	28½	33	41	48¼	55	64	72	78	85	94	104
H	½	1	1	1½	1½	2	2	2	2	2	2	2	2	2
I	3¾	3¾	3½	4½	5½	6½	9½	15	17	21	25	27	22	24
J	11	11	13	15	20	22	24	27	29	30	33	37	46½	48
DRY WEIGHT (lbs.)	93	95	100	180	250	630	945	1440	1850	2990	3200	3990	4500	6500