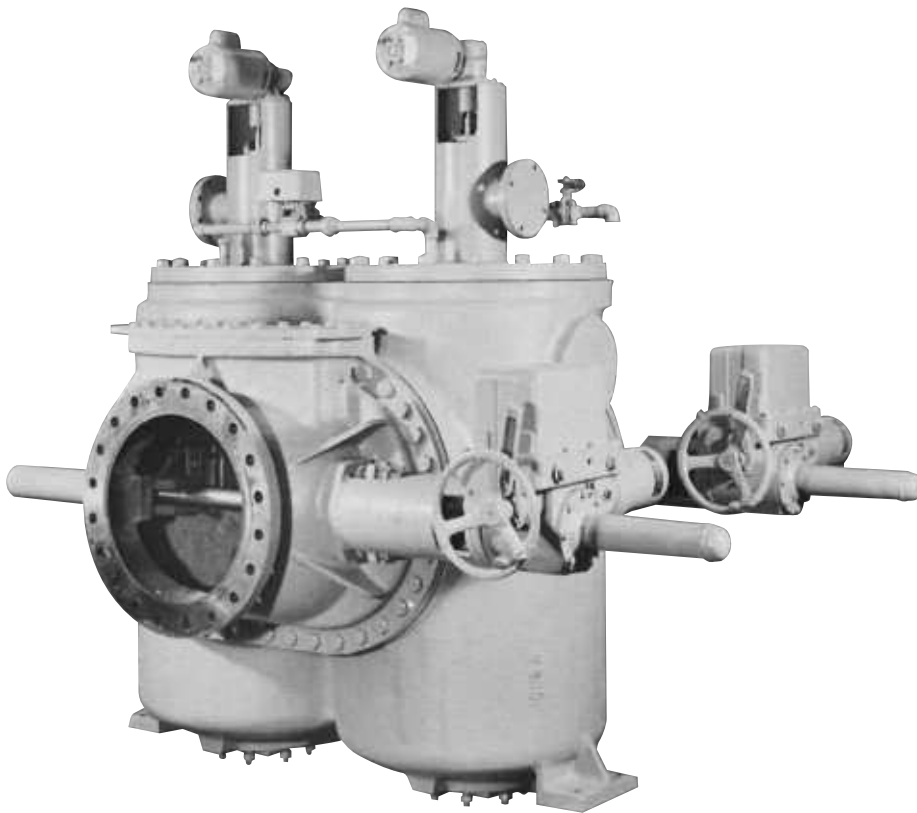


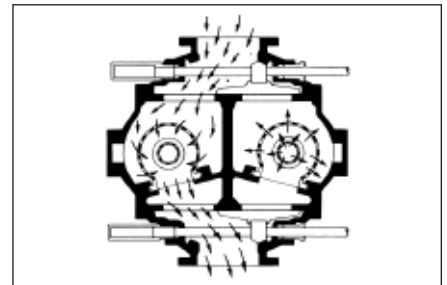
# Tate Andale Model AL and AH Twin Basket Self-Cleaning Strainers



## Description

**Tate Andale Model AL and AH** spray-type self-cleaning strainers are recommended for severe operating conditions where the quantity and nature of the debris is such that the standard self-cleaning design is inadequate for effective removal of debris from the surface of the basket. This variation of the standard twin strainer consists of a spray pipe (either fixed or gearmotor-driven) located in the center of each basket. Unlike the manual version, liquid flow is from outside the basket, inward.

To clean a basket, the compartment is isolated by means of manual or electric motor-driven valves, and the drain valve is opened. High-pressure water is then admitted to the spray pipe. The spray pipe nozzles direct jets of water against the inside of the basket, blasting free the debris collected on the outside basket surface. The debris is flushed away through the open drain.

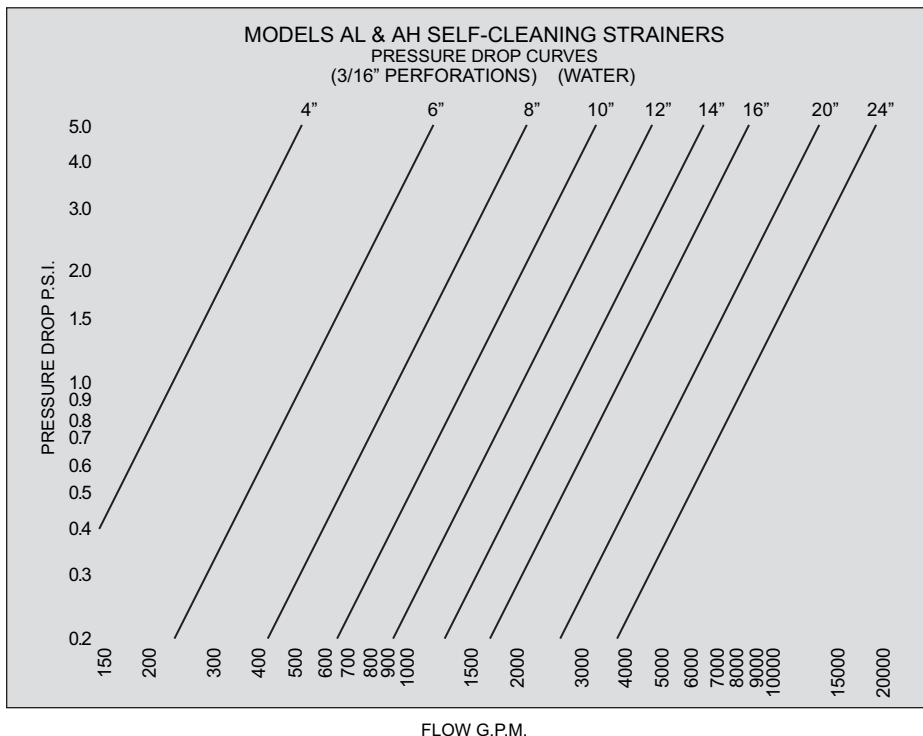


Water for the spray pipes can be taken from the strainer discharge provided the pressure is 50 PSIG or higher, or from a separate source. There must be no back pressure on the drain line, and the line must be large enough to keep the compartment drained. These strainers are suitable for vacuum or positive pressure operation.

## Typical Strainer Specification

For the basic features of the strainer, please see the **Model AL or AH** twin basket strainer. In addition to that information the strainer shall be equipped with spray pipes (fixed or rotary) that shall utilize 50 PSIG of water to effectively remove contaminant from the outside of the basket and backflush the contaminant.

**For fully automatic operation:** The strainer shall be equipped with motor-operated valves and a control system to facilitate automatic operation of the previously described backflush cycle.



# Tate Andale Model AL and AH Twin Basket Self-Cleaning Strainers

This system shall include a pressure differential switch which will be set to activate the backflush cycle when the differential pressure across the basket reaches a pre-determined setting.

## Standard Materials

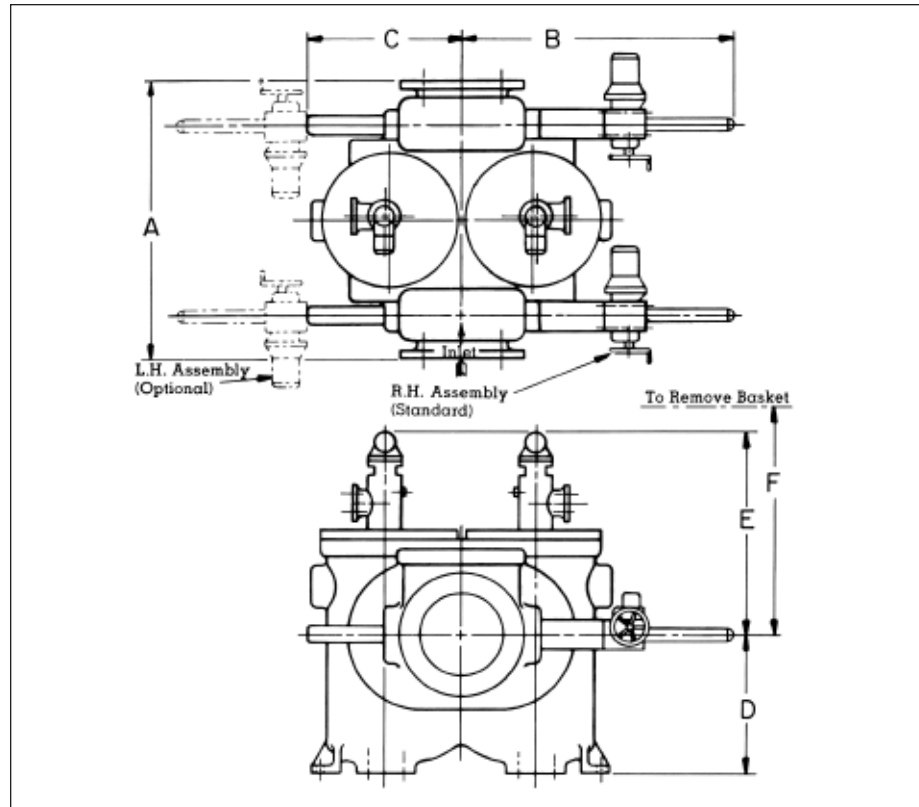
- Body, valve housings, valve discs, glands, handwheels .....Cast Iron
- Guides .....Steel
- Access cover .....Steel plate
- Enclosed valve screws.....Steel
- Valve shaft.....Bronze
- Valve rings.....Natural rubber stock
- Basket.....304 Stainless Steel

## Standard Features

Include all of those listed for the **Model AL** and **AH** twin basket strainers

## Optional Features

- Include all of those listed for the **Model AL** and **AH** twin basket strainers
- Fixed spray
  - Rotary spray
  - Semi-automatic operation



## Model AL Dimensions (Approx.) 125 PSIG

SIZE (Inlet Dia.)	4"	6"	8"	10"	12"	14"	16"	20"	24"
<b>A</b>	24 <sup>1</sup> / <sub>8</sub>	29 <sup>5</sup> / <sub>8</sub>	34 <sup>1</sup> / <sub>8</sub>	37 <sup>7</sup> / <sub>8</sub>	43 <sup>1</sup> / <sub>2</sub>	47 <sup>5</sup> / <sub>8</sub>	51	66	75 <sup>1</sup> / <sub>2</sub>
<b>B</b>	15	18 <sup>3</sup> / <sub>4</sub>	31 <sup>1</sup> / <sub>8</sub>	36	42	46	51 <sup>1</sup> / <sub>2</sub>	62 <sup>3</sup> / <sub>4</sub>	70 <sup>1</sup> / <sub>2</sub>
<b>C</b>	10 <sup>3</sup> / <sub>8</sub>	13 <sup>3</sup> / <sub>8</sub>	16 <sup>3</sup> / <sub>4</sub>	19 <sup>1</sup> / <sub>4</sub>	22 <sup>5</sup> / <sub>8</sub>	25 <sup>1</sup> / <sub>4</sub>	27 <sup>7</sup> / <sub>8</sub>	35	40 <sup>1</sup> / <sub>4</sub>
<b>D</b>	9 <sup>1</sup> / <sub>4</sub>	12 <sup>7</sup> / <sub>8</sub>	16 <sup>3</sup> / <sub>4</sub>	18 <sup>3</sup> / <sub>8</sub>	21 <sup>3</sup> / <sub>4</sub>	24 <sup>1</sup> / <sub>2</sub>	26 <sup>7</sup> / <sub>8</sub>	34	38 <sup>3</sup> / <sub>4</sub>
<b>E</b>	31 <sup>1</sup> / <sub>8</sub>	34 <sup>7</sup> / <sub>8</sub>	36 <sup>1</sup> / <sub>8</sub>	37 <sup>5</sup> / <sub>8</sub>	40 <sup>1</sup> / <sub>8</sub>	44 <sup>1</sup> / <sub>2</sub>	47 <sup>1</sup> / <sub>4</sub>	54	58 <sup>7</sup> / <sub>8</sub>
<b>F</b>	37	46	51	54 <sup>1</sup> / <sub>2</sub>	63	71	77 <sup>1</sup> / <sub>2</sub>	96	109
<b>WEIGHT (lbs.)</b>	665	1130	2050	2700	4400	5015	6115	10645	14780

## Model AH Dimensions (Approx.) 250 PSIG

SIZE (Inlet Dia.)	4"	6"	8"	10"	12"	14"	16"	20"	24"
<b>A</b>	24 <sup>3</sup> / <sub>4</sub>	30 <sup>1</sup> / <sub>2</sub>	35 <sup>1</sup> / <sub>8</sub>	39 <sup>1</sup> / <sub>4</sub>	45	52	54 <sup>1</sup> / <sub>2</sub>	73 <sup>1</sup> / <sub>2</sub>	79 <sup>1</sup> / <sub>2</sub>
<b>B</b>	15	18 <sup>3</sup> / <sub>4</sub>	31 <sup>1</sup> / <sub>8</sub>	35 <sup>1</sup> / <sub>4</sub>	42	46	51 <sup>1</sup> / <sub>2</sub>	64 <sup>1</sup> / <sub>4</sub>	72 <sup>1</sup> / <sub>4</sub>
<b>C</b>	10 <sup>3</sup> / <sub>8</sub>	13 <sup>3</sup> / <sub>8</sub>	16 <sup>3</sup> / <sub>4</sub>	19 <sup>1</sup> / <sub>4</sub>	22 <sup>5</sup> / <sub>8</sub>	25 <sup>1</sup> / <sub>4</sub>	27 <sup>7</sup> / <sub>8</sub>	35	40 <sup>1</sup> / <sub>4</sub>
<b>D</b>	9 <sup>1</sup> / <sub>4</sub>	12 <sup>7</sup> / <sub>8</sub>	16 <sup>3</sup> / <sub>4</sub>	18 <sup>3</sup> / <sub>8</sub>	21 <sup>3</sup> / <sub>4</sub>	24 <sup>1</sup> / <sub>2</sub>	26 <sup>7</sup> / <sub>8</sub>	34 <sup>1</sup> / <sub>2</sub>	39 <sup>1</sup> / <sub>4</sub>
<b>E</b>	31 <sup>1</sup> / <sub>8</sub>	34 <sup>3</sup> / <sub>8</sub>	36 <sup>3</sup> / <sub>8</sub>	38	40 <sup>1</sup> / <sub>2</sub>	46 <sup>1</sup> / <sub>4</sub>	47 <sup>1</sup> / <sub>4</sub>	54 <sup>1</sup> / <sub>2</sub>	60 <sup>1</sup> / <sub>8</sub>
<b>F</b>	37	46	51	54 <sup>1</sup> / <sub>2</sub>	63	71	77 <sup>1</sup> / <sub>2</sub>	96	109
<b>WEIGHT (lbs.)</b>	685	1175	2110	2800	4550	6215	7815	12220	17280